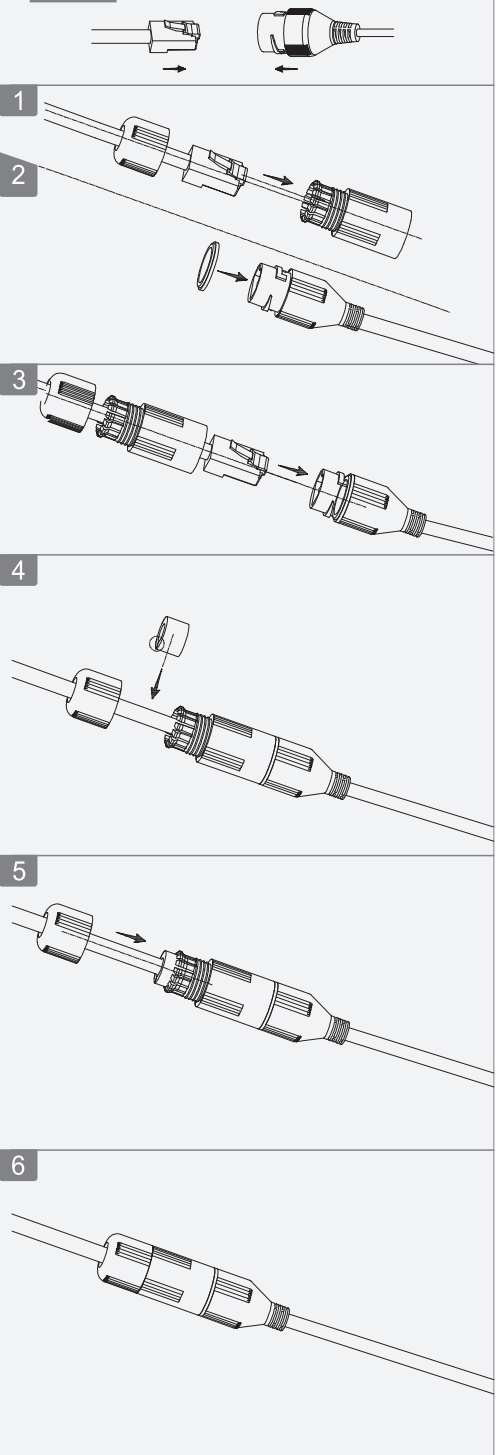
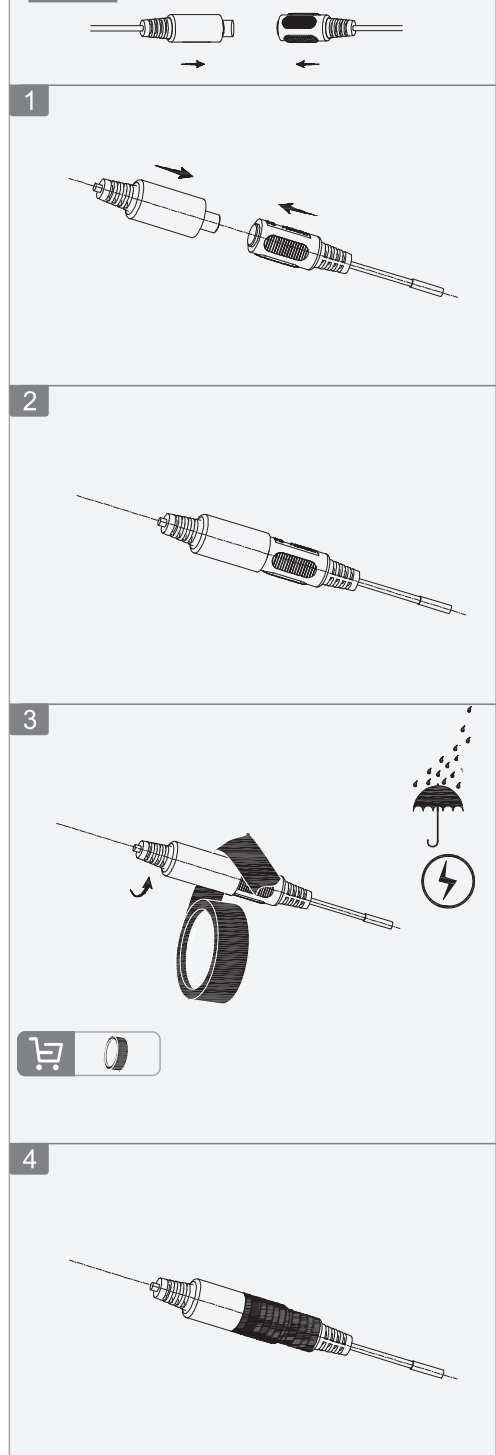


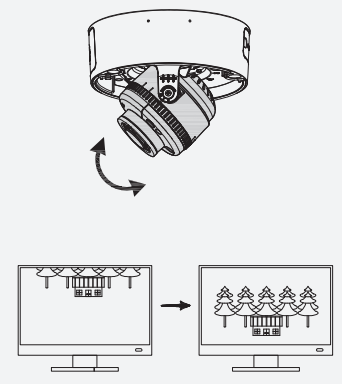
A Optional



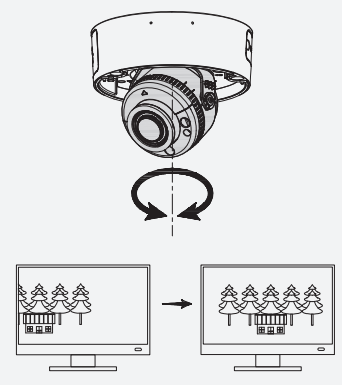
B



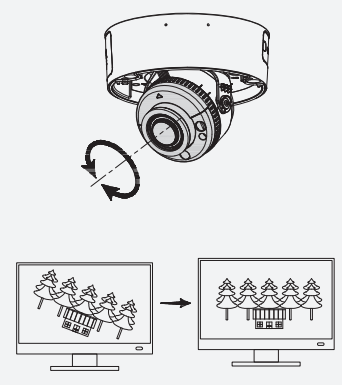
3.1



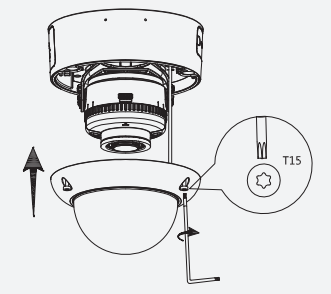
3.2



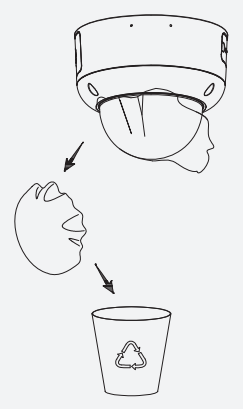
3.3



4.1



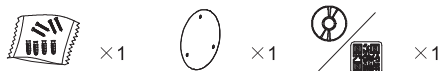
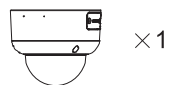
4.2





Dome Network Camera

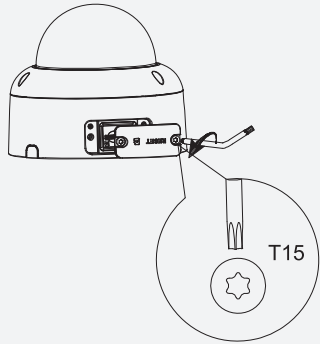
Installation Guide

V1.0.0

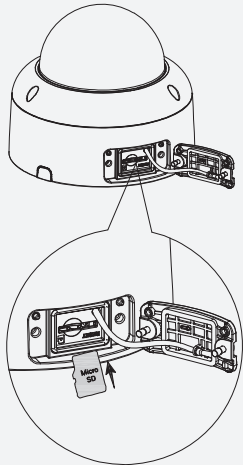




 

1.1 Optional

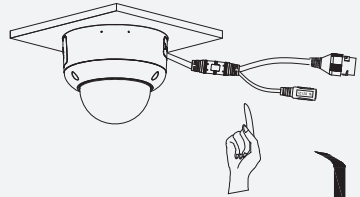


1.2

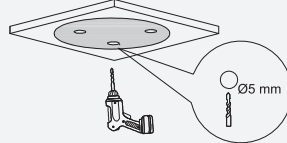


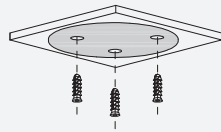
2.1.1



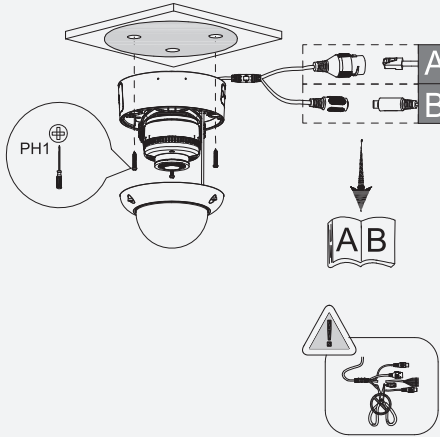
2.1.2



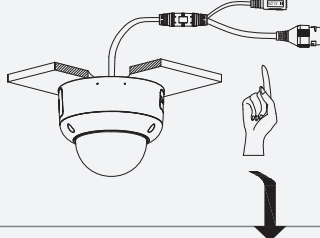
2.1.3



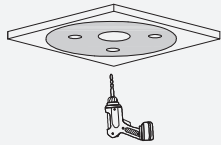
2.1.4



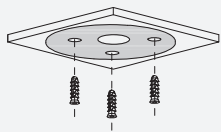
2.2.1



2.2.2



2.2.3



2.2.4

